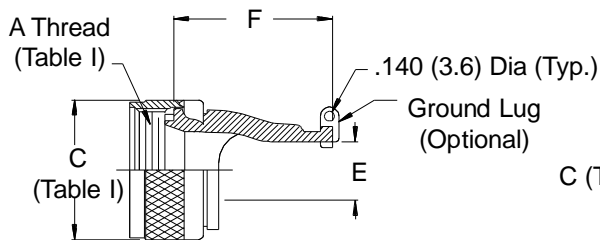
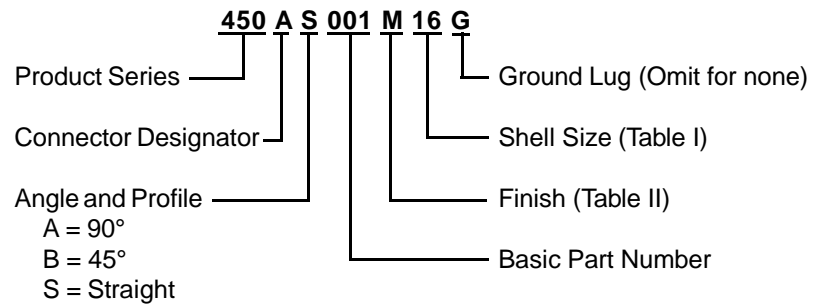
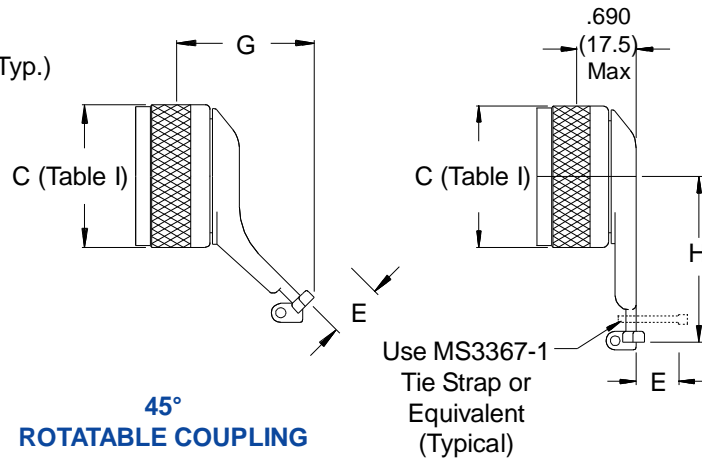
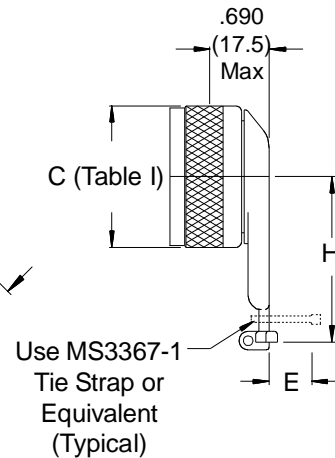


**CONNECTOR
DESIGNATOR**
A

**STRAIGHT
ROTATABLE COUPLING**

**45°
ROTATABLE COUPLING**

**90°
ROTATABLE COUPLING**

See inside back cover fold-out or pages 13 and 14 for Tables I and II.

| TABLE III: DIMENSIONS | | | | | | | |
|-----------------------|---------------|--------------|--------------|--------------|--|--|--|
| Shell Size | E Cable Entry | F Max | G Max | H Max | | | |
| 08 | .260 (6.6) | .866 (22.0) | 1.066 (27.1) | .890 (22.6) | | | |
| 10 | .365 (9.3) | .866 (22.0) | 1.066 (27.1) | .950 (24.1) | | | |
| 12 | .501 (12.7) | .926 (23.5) | 1.066 (27.1) | 1.010 (25.7) | | | |
| 14 | .575 (14.6) | 1.106 (28.1) | 1.188 (30.2) | 1.330 (33.8) | | | |
| 16 | .700 (17.8) | 1.106 (28.1) | 1.226 (31.1) | 1.390 (35.3) | | | |
| 18 | .779 (19.8) | 1.176 (29.9) | 1.226 (31.1) | 1.460 (37.1) | | | |
| 20 | .904 (23.0) | 1.306 (33.2) | 1.226 (31.1) | 1.510 (38.4) | | | |
| 22 | 1.029 (26.1) | 1.426 (36.2) | 1.226 (31.1) | 1.510 (38.4) | | | |
| 24 | 1.144 (29.1) | 1.556 (39.5) | 1.226 (31.1) | 1.640 (41.7) | | | |

1. Cable Entry is defined as the accommodation entry for the wire bundle or cable. Dimensions are not intended for inspection criteria.
2. Metric dimensions (mm) are indicated in parentheses.